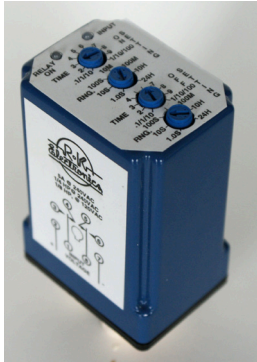


# TDR-L

## Pulse Relay Frequency Relay



- 24 to 240VAC/VDC (Universal Voltage)
- PNP or NPN Input
- Pulse Frequencies
- Adjustment Knobs
- Plug-In Package
- DPDT Contacts
- Status LEDs



### Operations

The TDR-L can be used to monitor the frequency of pulse from a proximity sensor or a contact closure. The TDR-L will supply the power the prox.

When supply voltage is available, the cycling of the prox output or contact closure within the adjustable frequency ranges will allow the output contacts of the TDR-L to energize when the frequency is above the set point and de-energized when the frequency is below the set point.

There are adjustable time delays available for pick-up and drop-out.

One LED will flash at the frequency of the pulse inputs (faster frequency may simply appear On). The other LED will be red when the output relay is de-energized, green when the output relay is energized and flash during pick-up and drop-out timing.

### Specifications

#### Electrical

**Supply Voltage:** 24 to 240VAC/VDC

**Frequency:** 50 to 400Hz

**Prox Supply:** 15 mAmps @ 12VDC

**Frequency Range:** 0.1 to 200PPS

Course: 1, 10, 100, 200PPS

Fine: .1 to 1 times range

**Sensor Type:** Prox or Contact

**Signal Input:** PNP or NPN

**Pick-Up:** 0.1 to 10Sec

**Drop-Out Delay:** 0.1 to 10Sec

**Power Consumption:** 1.5VA

**Indicators:** 2 LEDs

#### Output Rating @ 25°C:

5 Amps @ 250VAC (General Purpose)

1/8 HP @ 120VAC

5 Amps @ 30VDC

B300 (Pilot Duty)

360 VA

3 Amps @ 120VAC

1.5 Amps @ 240VAC

#### Physical

**Mounting:** Plug-In

**Termination:** 8 Pin

**Packaging:** Dust Cover

**Weight:** 8.5 Oz. Approx.

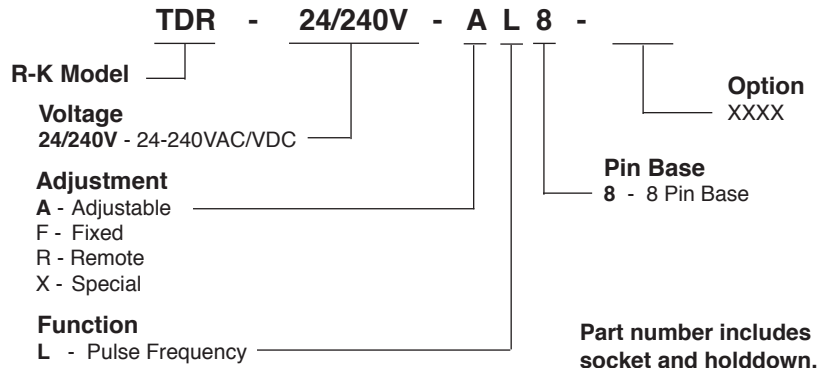
#### Ambient Temperatures

**Operating:** 0°C to 65°C

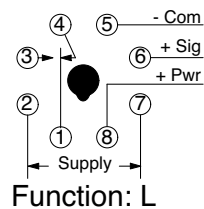
**Storage:** -40°C to 85°C

Must be used with UL approved socket to satisfy UL Listing.

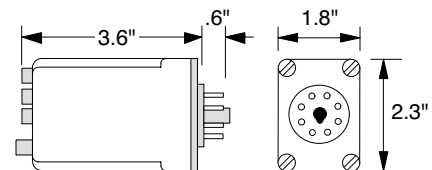
### Ordering Information



### Connection Diagram



### Dimensions



### Hook-Up Diagram

