



Repeat Cycle Timer

TDR-R

Specifications

Electrical

Supply Voltage: 24 to 240VAC/VDC

Frequency: 50/60Hz

Function: Repeat Cycle

Time Ranges: 0.1Sec. up to 24 Hrs.

Fine Adjustment Pot:

Adjusts within Range

Power Consumption: 1.5VA

Indicators: 2 LEDs

Output Rating @ 25°C:

5 Amps @ 250VAC (General Purpose)

1/8 HP @ 120VAC

5 Amps @ 30VDC

B300 (Pilot Duty)

360 VA

3 Amps @ 120VAC

1.5 Amps @ 240VAC

Physical

Mounting: Plug-In

Termination: 8 or 11Pin

Packaging: Dust Cover

Weight: 8.5 Oz. Approx.

Ambient Temperatures

Operating: 0°C to 60°C

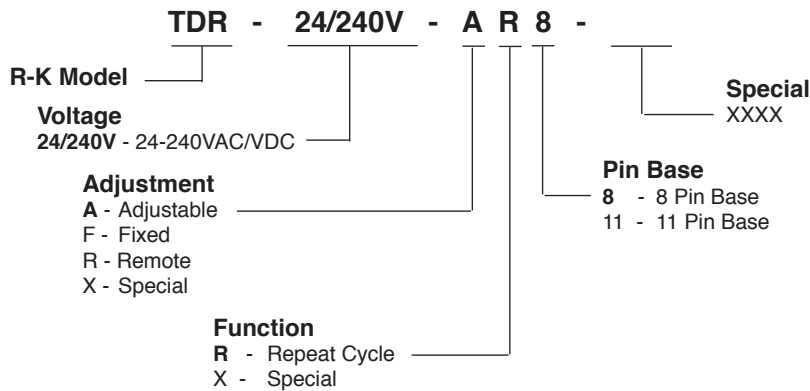
Storage: -40°C to 85°C



- 24 to 240VAC/VDC (Universal Voltage)
- Repeat Cycle (First Cycle On)
- Time Ranges Up to 24 Hours
- Adjustment Knobs
- Plug-In Package
- SPDT or DPDT Contacts
- Status LEDs

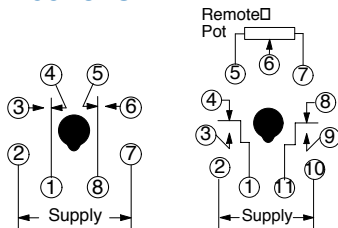


Ordering Information

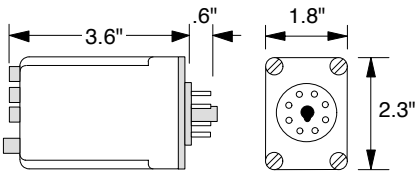


Part number includes socket and holddown.

Connections



Dimensions



Operation

When the supply voltage is applied to the TDR-R, the first delay period (off time) begins. At the end of the Off time period the internal relay is energized and the second delay period begins (On time). At the end of the On time the internal relay is de-energized. The TDR-R will continue to cycle the internal delay until the supply voltage is removed.

Two sets of adjustment knobs are used to set the Off and On times. Two allow the operator to select seconds, minutes, or hours independently for the Off and On times. The other two knobs allow the operator to select a fine adjustment for each of the time delays. Removal of supply power resets the timer.