

TDR-A

Alternating Relay Local or Remote



- Sequence Switch
- 24 to 240VAC/VDC
(Universal Voltage)
- Float or Contact Input
- Local or Remote
Selector Switch
- Plug-In Package
- Status LEDs



Operation

Alternator Function

The TDR-A provides an alternating function, based on the opening of the remote contact "C" (Float Switch).

With supply power applied when the remote contact C closes, the output relay stays in its existing condition. When contact C opens, the output relay changes state. Each subsequent opening of the contact C changes the state of the output contacts and provides the alternating function.

Selecting "Adjustable" option provides a Local-Remote pump selection switch on the TDR-A.

- Local - "Pump 1-Auto-Pump 2" switch is on the TDR-A
- Remote - A remote selector switch can be wired into the socket

Relay LED: Red - De-energized
Green - Energized
Input LED: Red - No Input Signal
Green - Closed Input

Specifications

Electrical

Supply Voltage: 24VAC/VDC to 240VAC/VDC

Frequency: 50 to 400Hz

Pick-Up/Drop-Out Delay: 0.5 Sec

Pump Select: Pump #1-Auto-Pump #2

Switch Select: Local-Remote

Power Consumption: 1.5VA

Indicators: 2 LEDs

Output Relay: Green-On; Red-Off

Float Input: Green-Closed; Red-Open

Output Rating @ 25°C:

5 Amps @ 250VAC (General Purpose)

1/8 HP @ 120VAC

5 Amps @ 30VDC

B300 (Pilot Duty)

360 VA

3 Amps @ 120VAC

1.5 Amps @ 240VAC

Physical

Mounting: Plug-In

Termination: 8 or 11Pin

Packaging: Dust Cover

Weight: 8.5 Oz. Approx.

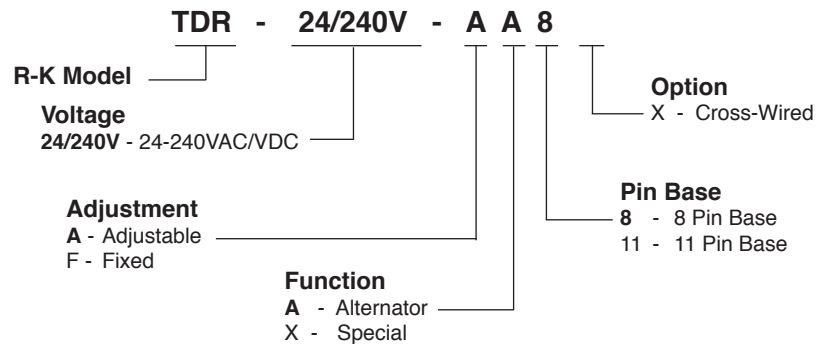
Ambient Temperatures

Operating: 0°C to 65°C

Storage: -40°C to 85°C

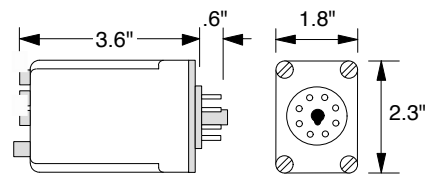
Must be used with UL approved socket to satisfy UL Listing.

Ordering Information

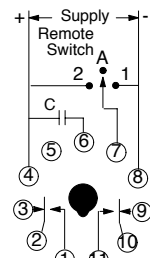
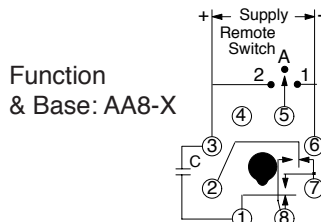
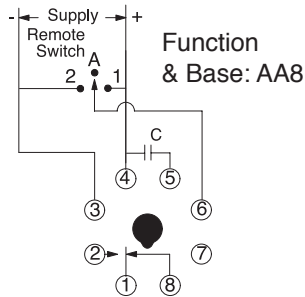


Part number includes socket and holddown.

Dimensions



Connections



Function & Base: AA11

Example: TDR-24/240V-AA8
MS1 = Load #1 (Motor Starter)
MS2 = Load #2 Motor Starter
C1 = Control Contact

