



Multi-Range Three Phase Voltage Relay

MVP

Specifications

Electrical

Line Voltage: 200VAC to 480VAC, 3Ø

Frequency: 50/60Hz

Nominal Voltage:

Adj. 200 to 480VAC *

Over/Under Voltage:

Adj. 7% to 12% of Nominal Voltage

Phase Rotation: A - B - C

Drop-out Delays: 2 sec. fixed

Re-Start Delay: 1 sec to 5 min.

Power Consumption: 1.5VA

Output Rating @ 25°C:

10 Amps @ 125VAC

6 Amps @ 277VAC

1/8 HP @ 125, 277VAC

5 Amps @ 30VDC

Physical

Mounting: Plug-In

Termination: 8 Pin (Octal)

(Over 300VAC use OT-08)

Packaging: Dust Cover

Weight: 8.5 Oz. Approx.

Ambient Temperatures

Operating: 0°C to 40°C

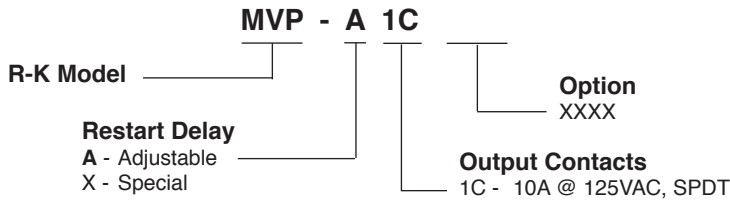
Storage: -40°C to 85°C



- 200 to 480VAC, 3Ø
- Plug-In Package
- Adj. Over & Under Voltage Trip
- Phase Loss
- Phase Rotation
- Phase Imbalance
- Adj. Re-Start Delay
- Manual or Automatic Reset
- Status LED



Ordering Information



Part number includes socket and holddown.

* For voltages over 300 volts use 600V OT-08 socket.

Connections

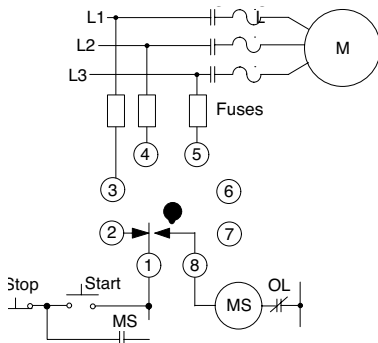
The MVP should be connected to the line voltage on the load side of the last line fuse before the motor and on the line side of the starter (MS).

M = Motor

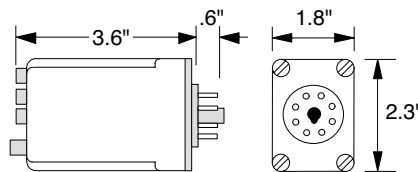
MS = Motor Starter

OL = Overloads

Fuses = ≤1 amp (optional)



Dimensions



Operation

The MVP will monitor line voltages from 200 up to 480VAC, 3Ø and automatically selects the correct operating range. Based on the adjustable settings, the output contacts will be energize when:

1. All phases are present
 2. The voltages are within the adjustment parameters
 3. The phases are in proper rotation.
- If any of these conditions are not satisfied, the output relay will drop out after the drop out time delay.

There is an adjustable re-start time delay for staggered starting.

The MVP has a built-in manual reset feature with a reset button on the top.

