



480VAC Three Phase Transient Voltage Filters

RCD

Specifications

Electrical

Input Voltage:

Up to 480VAC, 3Ø, 50/60Hz.

Capacitance: 0.47 microfarads, ±10%

Resistance:

100 or 220 ohms, ±5%, 7 watts

Varistors:

Max. Allowable AC Voltage: 625VAC

Max. Clamping Voltage: 1650V @ 50A

Energy: 40 joules

Power Consumption:

72 watts @ 480VAC

Physical

Mounting: Surface

Termination:

#16 Stranded Wire Leads

Packaging: Dust Cover

Weight: 12 Oz.

Ambient Temperatures

Operating: -40°C to 60°C

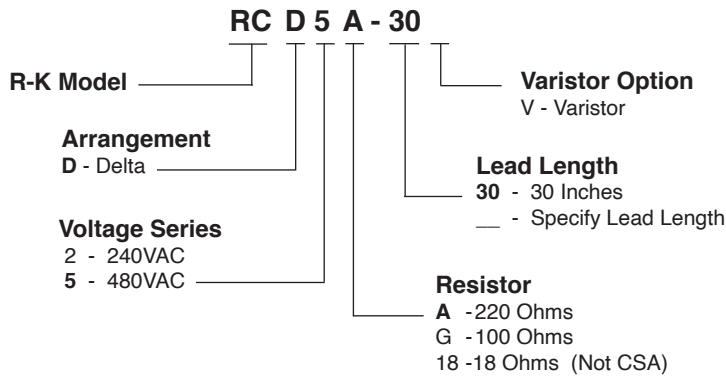
Storage: -40°C to 85°C

Hook-Up



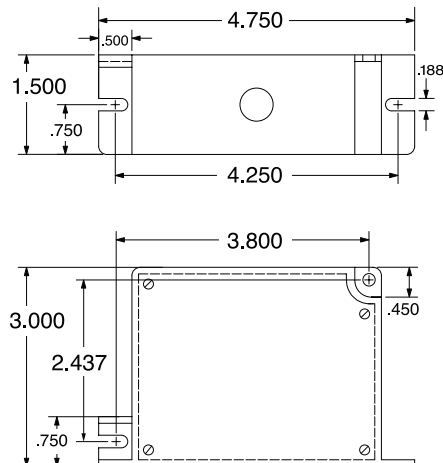
- 480 Volt Ratings
- Delta Configuration
- Three Phase (3Ø) Applications
- Varistor Options
- Single Package
- Stranded Wire Leads

Ordering Information

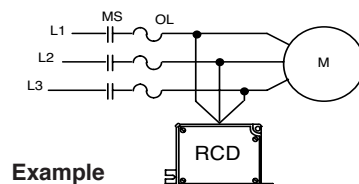
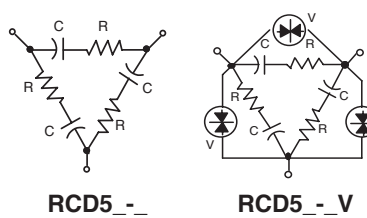


DIN Rail Bracket #DRB-4

Dimensions



Connections



Example

M = Motor

MS = Motor Starter

OL = Overloads



Operation

Transient Voltage Filters

R-C networks (Resistance-Capacitance) are applied to circuits where transient electrical voltages can cause a malfunction or damage in solid state controls or control systems (PLCs, CNCs, NCs, Solid State Counters, etc.) The RCD is typically applied in parallel with three phase inductive loads (motors) to absorb the transients generated when the load is disconnected from the line. It also absorbs electrical noise while the load is operating. The Varistor option provides additional protection by clamping the transients at a specific voltage level (Max. Clamping Voltage).