

# MVPL

## Multi-Range Three Phase Voltage Relay



- 1Ø & 3Ø Voltage
- 200 to 600VAC
- Plug-In Package
- Adj. Over & Under Voltage Trip
- Phase Loss
- Phase Rotation
- Phase Imbalance
- Adj. Re-Start Delay
- Manual or Automatic Reset



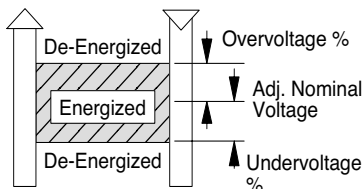
### Operation

The MVPL will monitor either 1Ø or 3Ø line voltage and provide a relay contact closure if all operating conditions are satisfied. Select the operating voltage from the top pot, set the percentage pot for 1Ø or 3Ø, and then apply the supply voltage. To change ranges, remove the supply voltage and re-apply.

The operating conditions include:

- Monitoring voltages within the adjustments:
  - Range
  - Over and Under percentage
- Three Phase:
  - All phase present
  - Proper phase rotation (A-B-C)
  - Balanced phases

Automatic or Manual Reset is selected by the Restart pot. In Manual Reset when all conditions are correct, the manual reset button below the timing adjustment must be operated.



### Specifications

#### Electrical

##### Line Voltage:

Single Phase: 200VAC to 240VAC, 1Ø  
Three Phase: 200VAC to 600VAC, 3Ø

##### Supply Voltage:

24VAC, 120VAC or 240VAC, 1Ø, Continuous

##### Frequency: 50/60Hz

##### Nominal Voltage:

Adj. 200 to 600VAC \*

##### Over/Under Voltage:

Adj. 8% to 14% of Selected Voltage

##### Phase Imbalance: 5%

##### Phase Rotation: A - B - C

##### Drop-out Delay: 2 sec. fixed

##### Re-Start Delay:

2 sec to 5 min., or manual reset

##### Power Consumption: 1.5VA

#### Output Rating @ 25°C:

10 Amps @ 125VAC  
6 Amps @ 277VAC  
1/8 HP @ 125, 277VAC  
5 Amps @ 30VDC

#### Physical

##### Mounting: Plug-In

**Termination:** 8 Pin (Octal)  
(Over 300VAC use OT-08)

##### Packaging: Dust Cover

**Weight:** 8.5 Oz. Approx.

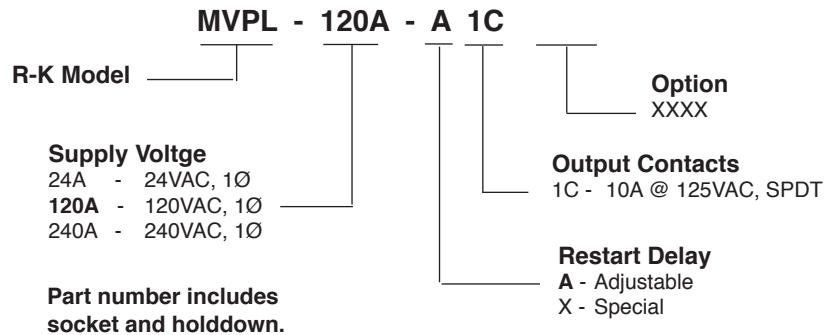
#### Ambient Temperatures

**Operating:** 0°C to 65°C

**Storage:** -40°C to 85°C

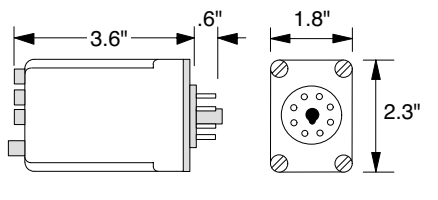
\* For Line Voltages over 300 volts use 600V OT-08 socket.

### Ordering Information



\* For Line Voltages over 300 volts use 600V OT-08 socket.

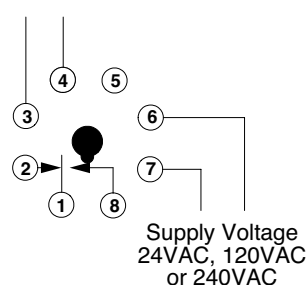
### Dimensions



### Connections

#### Single Phase:

Line Voltage  
200VAC to 240VAC



#### Three Phase:

Line Voltage  
200VAC to 600VAC

