

LLF/D

Liquid Level Control Relay



Specifications

Electrical

Input Supply Voltage:

12, 24, 120 or 240 VAC, 10%

Frequency: 50/60Hz

Power Consumption: 2VA

Sensitivity Range: 5K to 100K Ω

Pick-Up/Drop-Out Delay: .5 Sec. Fixed

Max. Probe Voltage: 16 Volts AC

Output Rating @ 25°C:

10 Amps @ 120VAC

5 Amps @ 250VAC, 30VDC

300W (D.C.), 1600VA (A.C.) Max.

switching power (resistive)

100,000 Full Load Electrical Cycles

20,000,000 Mechanical Cycles

Indicators

2 Status LEDs: Inputs closed

1 Relay LED: Relay Energized

Physical

Mounting: Plug -In

Termination: 8 Pin Octal

Packaging: Dust Cover

Weight: 9 Oz.

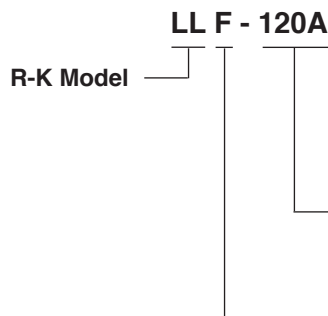
Ambient Temperatures

Operating: 0°C to 40°C

Storage: -40°C to 85°C

- Conductive or Float Switch Inputs
- Fill or Drain Operation
- 5K to 100K Ω Sensitivity, Adj.
- AC Probe Voltage
- 10 Amp Contacts
- Noise Filter
- Nuisance Delay
- Input Status Indicators

Ordering Information



Supply Voltage

12A - 11 -16VAC

24A - 20 -29VAC

120A - 100 -125VAC

240A - 200 - 240VAC

Operation

F - Tank Fill applications

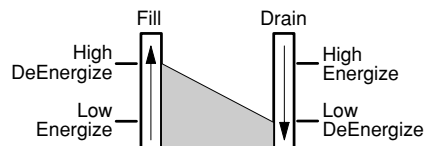
D - Tank Drain applications

Operation

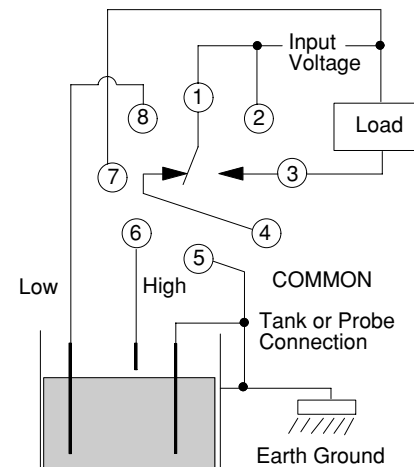
Fill of Drain Operation

(Fill:Pump Up - Drain:Pump Down)

The LLF/D accepts inputs that are either conductivity (resistance) and/or float switches. Internal logic circuitry controls the appropriate relay latching and unlatching for Fill or Drain operations. Three diagnostic LEDs indicate the status of the two inputs and output relay state. Probe sensitivity is adjustable to control effects of liquid wiskers from the level probes.



Connections



Dimensions

