



True Off Delay Plug-In Timer

COB

Specifications

Electrical

Input Voltage:

24 or 115VAC, ±10%, 50/60Hz
 24 or 110VDC ±10%,
 Filtered to Full Wave.

Time Delays:

Type: Adjustable or Factory Fixed
 Range: 50 Milliseconds to 1 Hour
 Repeat Accuracy:
 ±1% with Fixed Conditions
 Fixed Time Accuracy: ±5% Worst Case
Reset Times: 50 Milliseconds, Typical
 Minimum On Time:
 1.5 Seconds (up to 10 Min.)
 7 Seconds (11 Min. to 1 Hr.)

Protection: Varistor and/or R-C Network
Power Consumption:
 5VA, .5A Peak Inrush

Output Ratings:

7.5 Amps, 1/3 HP @ 240VAC
 10 Amps, 1/6 HP @ 120VAC
 200,000 Full Load Electrical Cycles
 10,000,000 Mechanical Cycles

Physical

Mounting: Plug-In
Termination: 8 or 11 Pin
Packaging: Dust Cover
Weight: 7 Oz.

Ambient Temperatures

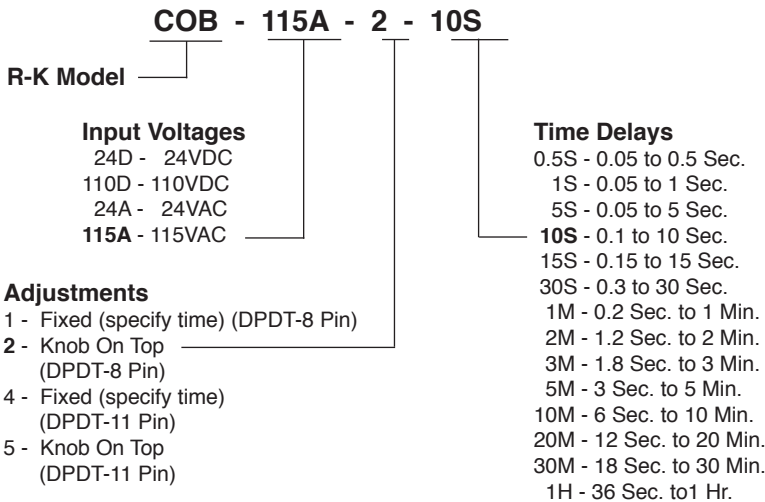
Operating: -10°C to 65°C
Storage: -10°C to 85°C



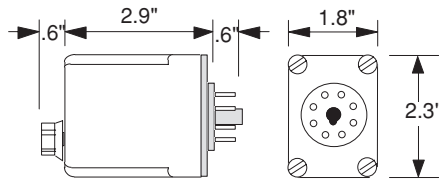
- No Power Required During Timing
- 2-Wire Off Delay
- Digital CMOS Design
- 10 Amp, DPDT
- ±0.2% Repeatability
- Transient Protected
- Timing Ranges Up To 1 Hour



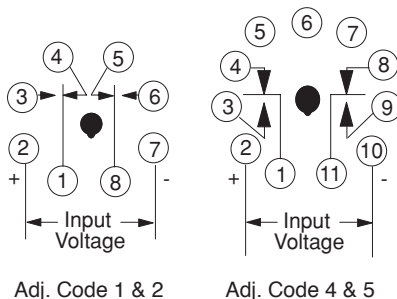
Ordering Information



Dimensions



Connections



Operation

True Off Delay

Application of the input voltage will energize the internal relay, transferring the output contacts and charge the internal storage component. When the input voltage is removed, the relay remains energized and the timing begins. At the end of the timed period, the relay will be de-energized and the timing circuit will reset. Re-application of the input voltage during timing will reset the COB and the relay will remain energized. The input voltage must be applied to the COB for a minimum amount of time to ensure proper operation of the timer or the internal relay will energize and not time out (see specifications).

