



# Digital Percentage Timer

# DPT

## Specifications

### Electrical

**Supply Voltage:** 24VAC, 120VAC & 240VAC, 1Ø

**Frequency:** 50/60Hz

**Display:** 16 Character, 2 Line, LCD Back Lighting

### Adjustments:

#### Membrane Buttons

#### Percentage On Time:

5% to 95%, 5% Increments

#### Manual: On or Off

**Total Cycle Times:** 1, 15, 30 & 60 Min.

**Power-Up Delay:** 0 Sec. to 10 Min.,

30 Second Increments

**Running Hours:** 0 to 99,999 Hrs.

**Total Running Hours:** 99,999

**Interval Running Hours:**

99,999, resettable to zero

### Output Rating @ 25°F:

10 Amps @ 120VAC

6 Amps @ 277VAC

1/8 HP @ 120/277VAC

5 Amps @ 24VDC

### Physical

**Mounting:** Panel Mounting

4 - Inserts for 2 Mounting Dim

**Termination:** Pluggable Block

**Packaging:** Gasketed Bezel

**Weight:** 1 Pound

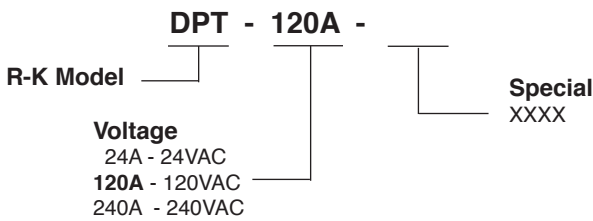
### Ambient Temperatures

**Operating:** -4°F to 140°F

**Storage:** -40°F to 185°F



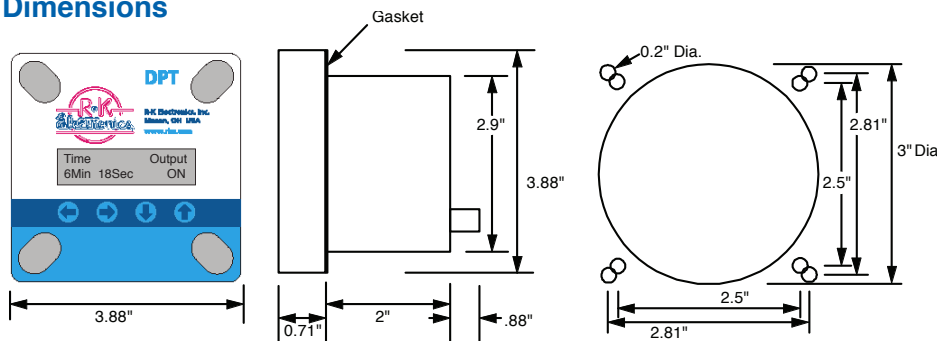
## Ordering Information



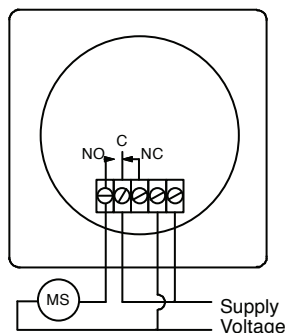
Included in the package are four hole inserts and four #8 metal drilling self tapping screws.



## Dimensions



## Connections



- Digital Display
  - Remaining Time
  - Cycle Time & Percentage Settings
  - Power-Up Delay
  - Interval Hours
  - Running Hours
- Multiple Mounting Dimensions
- SPDT Contacts
- Gasketed Bezel

## Operation

The DPT is a Digital Percentage Timer. Operational information is displayed for easy viewing: time remaining until relay transfer, relay status, running hours & set-up parameters.

With the supply voltage active, the DPT will activate the relay output for the percentage of time selected in set-up. For total cycle time, you can select between 1, 15, 30, and 60 minutes. On time can be selected in 5% increments from 5% to 95% or manual On or Off. There is a re-start timer selection from 0-10 minutes to allow for staggered starting of multiple machines.

A running hour meter shows the total closure time for the output contacts since the last reset.