

# TDR

## Universal Function Relay



- 24 to 240VAC/VDC (Universal Voltage)
- Multiple Functions
- Time ranges up to 24 hours
- Pulse Frequencies
- Adjustment Knobs
- Plug-In Package
- DPDT Contacts
- Status LEDs



### Operations

The TDR series of electronic relays is a processor based control that can have many different functions. The operation of the TDR is determined at the time of manufacture, based on the firmware loaded into the relay.

Special functions (X) that are unique to a customer's specific application are available by contacting the factory.

Functions available include:

- C - On Delay (Delays to turn On)
- D - Interval On (Turns On and then times out)
- F - Off Delay (Turns on then delay turning Off after loss of signal)
- L - Pulse Frequency (Supplies prox power on monitors pulse frequency)
- R - Repeat Cycle (On & Off & On & Off etc.)
- S - One Shot (One output per input)
- U - Universal Timer (Multiple functions and time ranges)

### Specifications

#### Electrical

**Supply Voltage:** 24 to 240VAC/VDC  
**Frequency:** 50 to 400Hz  
**Prox Supply:** 15 mAmps @ 12VDC  
**Frequency Range:** 0.1 to 200PPS  
**Sensor Type:** Prox or Contact  
**Signal Input:** Sourcing (PNP)  
**Pick-Up/Drop-Out Delay:** 0.5 Sec  
**Time Ranges:** 0.1Sec. up to 24 Hrs.  
**Remote Pot:** 1KΩ to 20KΩ (Max.)  
**Power Consumption:** 1.5VA  
**Indicators:** 2 LEDs

#### Output Rating @ 25°C:

5 Amps @ 250VAC (General Purpose)  
 1/8 HP @ 120VAC  
 5 Amps @ 30VDC  
 B300 (Pilot Duty)  
 360 VA  
 3 Amps @ 120VAC  
 1.5 Amps @ 240VAC

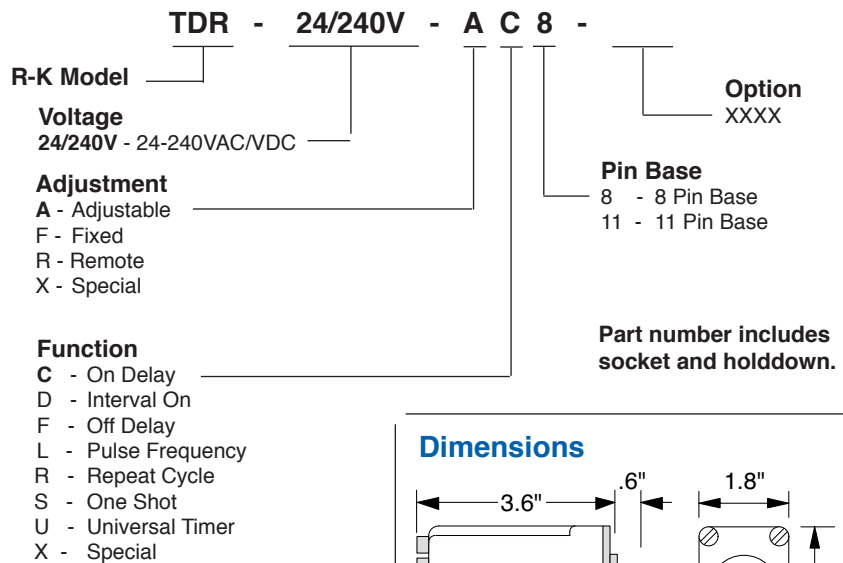
#### Physical

**Mounting:** Plug-In  
**Termination:** 8 or 11Pin  
**Packaging:** Dust Cover  
**Weight:** 8.5 Oz. Approx.

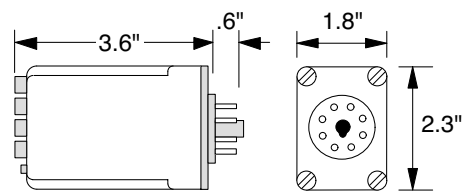
#### Ambient Temperatures

**Operating:** 0°C to 65°C  
**Storage:** -40°C to 85°C

### Ordering Information



### Dimensions



### Connections

These are general connections. See specific function sheets for complete connection diagrams.

