

# CLRB

## Repeat Cycle Plug-In Timer



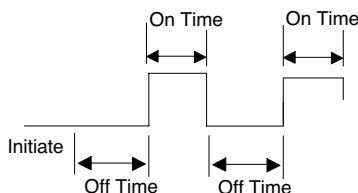
- Independent On & Off Adjustments
- Digital CMOS Design
- 10 Amp, DPDT
- $\pm 0.2\%$  Repeatability
- Transient Protected
- On Time Ranges Up To 24 Hours
- Off Time Ranges Up To 24 Hours



### Operation

#### Repeat Cycle

When input voltage is applied to the CLRB, the first delay period (off time) begins. At the end of the off time period, the internal relay is energized and the second delay period (on time) begins. At the end of the on time, the internal relay is de-energized. The CLRB will continue to cycle the internal relay until the input voltage is removed. Separate knobs are used to adjust the off and on times. (The CLRB is also available with reverse operation.)



### Specifications

#### Electrical

**Input Voltage:**  
24 or 115VAC  $\pm 10\%$ , 50/60Hz.  
24 or 125VDC  $\pm 10\%$ , Filtered to Full Wave.

**Time Delays:**  
Type: Adjustable or Factory Fixed  
Range: 50 Milliseconds to 24 Hours  
Repeat Accuracy:  $\pm 0.2\%$  of Time Range or  $\pm 10$  Milliseconds, Whichever is Greater.  
Fixed Time Accuracy:  $\pm 5\%$  Worst Case  
Reset Times: 50 Milliseconds, Typical

**Protection:** Varistor and/or R-C Network

**Power Consumption:** 5VA

**Output Relay:** 10 Amps @ 120/240VAC  
500,000 Full Load Electrical Cycles  
50,000,000 Mechanical Cycles

#### U.L. Ratings:

6.5 Amps, 1/3 HP, 125VA @ 240VAC  
7 Amps, 1/6 HP, 125VA @ 120VAC

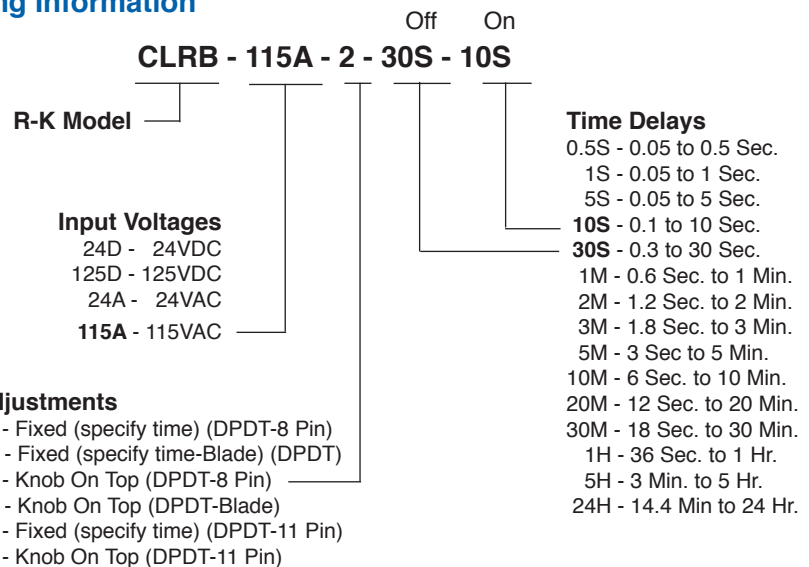
#### Physical

**Mounting:** Plug-In  
**Termination:** 8 or 11 Pin & Blade Base  
**Packaging:** Dust Cover  
**Weight:** 7 Oz.

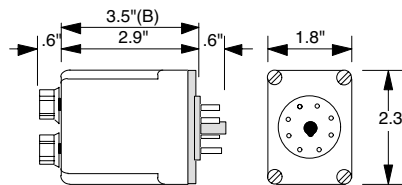
#### Ambient Temperatures

**Operating:**  $-10^{\circ}\text{C}$  to  $65^{\circ}\text{C}$   
**U.L. Operating:**  $-10^{\circ}\text{C}$  to  $40^{\circ}\text{C}$   
**Storage:**  $-10^{\circ}\text{C}$  to  $85^{\circ}\text{C}$

### Ordering Information



### Dimensions



### Connections

