



Go-No Go AC Current Sensing Relay



Specifications

Electrical

Input Supply Voltage: None Required

Pick-Up Range: 5.0 Amps \pm 12%

Power Up Delay: 0.1Sec. Fixed

Drop-Out Range: 4.5 Amps \pm 7%

Drop-Out Delay: None

Frequency: 50/60Hz

Maximum Current:

200 Amps LRA, 15 Seconds max.

64 Amps FLA, Continuous

Reset: Automatic

Output Rating @ 25°C:

10 Amps @ 250VAC, 30VDC (UL)

300W (D.C.), 2500VA (A.C.) Max.
switching power (resistive)

6,000 Full Load Electrical Cycles (UL)

100,000 Full Load Electrical Cycles

20,000,000 Mechanical Cycles

Physical

Maximum Load Wire Diameter:

0.560" Dia.

Mounting: Surface or DIN Rail

Termination:

#16 Stranded Wire Leads

Packaging: Dust Cover

Weight: 18 Oz.

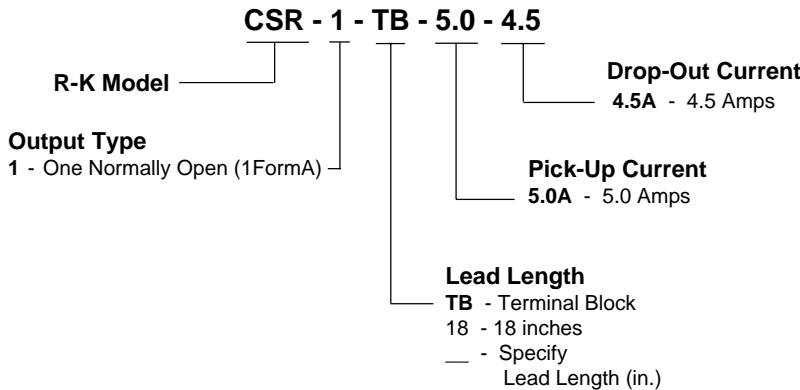
Ambient Temperatures

Operating: 0°C to 55°C

Storage: -10°C to 85°C

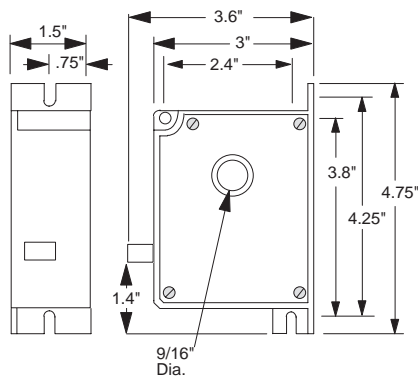


Ordering Information

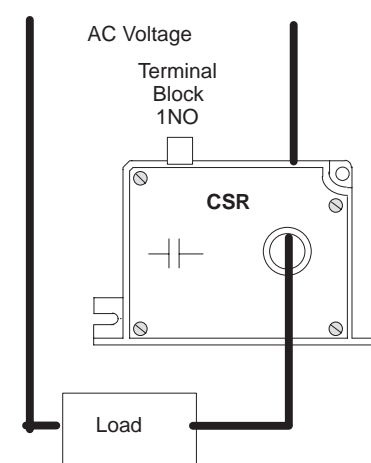


DIN Rail Bracket #DRB-4

Dimensions



Connections



- Self Powered
- 4 to 200 Amps AC
- 10 Amp Contact
- Screw Terminals or Stranded Wire Leads
- Large Wire Thru Hole
- DIN Rail Mountable
- Compact Design
- Low Cost



E71902
Standard 508



LR43414
Standard 14 & 24

Also UL Recognized Component
as a Current Sensitive Relay
under file E157410.

Operation

AC Current Sensing

The CSR generates its own operating power supply from the monitored current line. No external power supply is needed. A current greater than the pick-up current is required to energize the output relay. The output relay will stay energized until the current in the line being monitored drops below the drop-out current level for the CSR.

